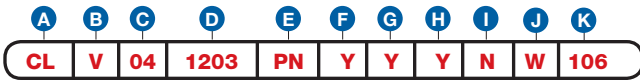


Item Number

To determine your item number enter the **RED** option code for each section as in the example below.



A Lock Style

CL Cam Lock

B Core Type

V* ABLOY® EXEC
V3* ABLOY® SENTRY
V4 ABLOY® PROTEC

C Housing Length

	MAXIMUM MATERIAL THICKNESS			BARREL LENGTH
	WOOD	METAL	GLASS	
03	7/16"	1/2"	3/8"	7/8"
04*	11/16"	3/4"	5/8"	1-1/8"
10	1-1/2"	-	-	1-3/4"
11	1-3/4"	-	-	2"
13	2-3/8"	-	-	2-3/4"
14	2-5/8"	-	-	3"

D Cam Rotation

	LOCKED		OPEN	
	LOCKED	OPEN	LOCKED	OPEN
0312*	3	12	0912 9	12
0306	3	6	0903 9	3
0309	3	9	0906* 9	6
0612	6	12	1203 12	3
0603*	6	3	1206 12	6
0609	6	9	1209* 12	9

E Plating Finish

Extended lead-time and plating lot charges may apply to Special and Custom finishes.

Special Finish	Code	Description
	PC	Polished Chrome
	SC	Satin Chrome
	PB	Polished Brass
	BL	Matte
	ST	Statuary Bronze
	CF	Custom Finish

F Key Retaining

Y Yes

G Keyed Different

N No
Y Yes

H Stamp Lock

N No
Y Yes

I Master Keyed

N No
Y Yes
G Grand Master
GA Great Grand Master

J Material Installation

W Wood
M Metal
GR Glass with Round Hole
GD Glass with Double "D" Hole
O Other - No Mounting Hardware



All Cam Locks come with a 1-1/4" Straight Cam unless a different cam is chosen.

K Cam Type

STRAIGHT

101	5/8"
102	3/4"
103	7/8"
104	1"
105	1-1/8"
106	1-1/4"
107	1-3/8"
108	1-1/2"
110	1-3/4"
112	2"
116	2-1/2"

1/8" OFFSET

303	7/8"
306	1-1/4"
308	1-1/2"
312	2"

1/4" OFFSET

403	7/8"
404	1"
406	1-1/4"
408	1-1/2"
410	1-3/4"
412	2"
414	2-1/4"

3/8" OFFSET

504	1"
506	1-1/4"
508	1-1/2"
512	2"

1/2" OFFSET

606	1-1/4"
608	1-1/2"
610	1-3/4"
612	2"

5/8" OFFSET

712	2"
------------	----

HOOK

202	3/4"
204	1"
206	1-1/4"
208	1-1/2"
210	1-3/4"

PIN CAM

P604	9/16" offset
-------------	--------------

FOR SWITCH KIT

SL	No Cam*
-----------	---------

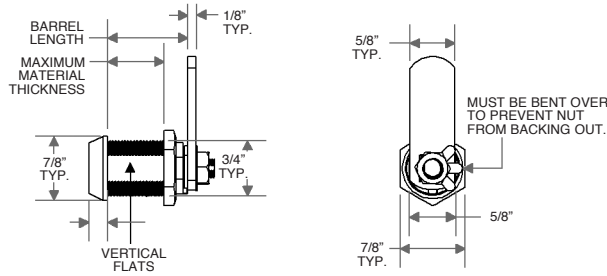
*Switch option available. See Page A10 to order switch kit.

Continued

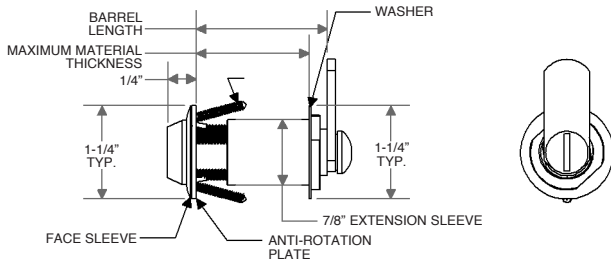
*Call Kenstan for counter clockwise rotations.



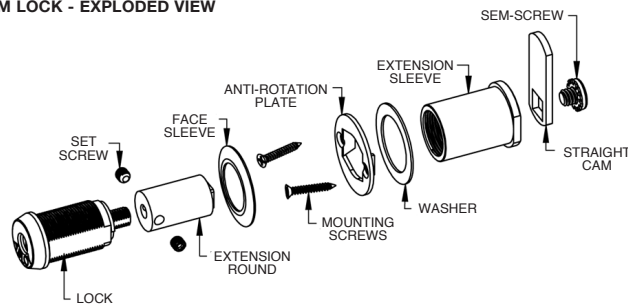
C HOUSING LENGTHS 03 and 04



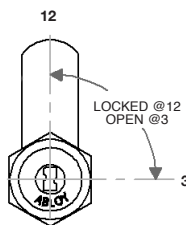
C HOUSING LENGTHS 10, 11, 13 and 14



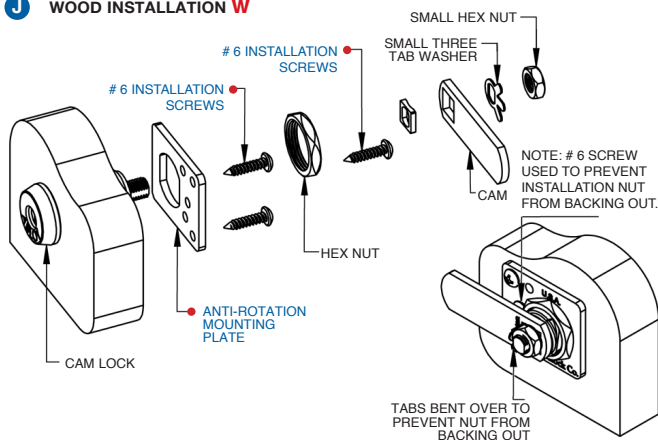
CAM LOCK - EXPLODED VIEW



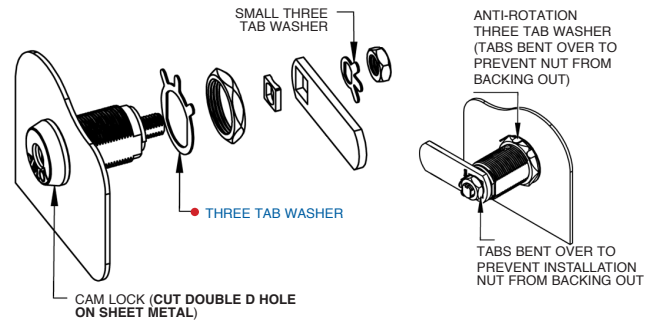
D CAM ROTATIONS EXAMPLE



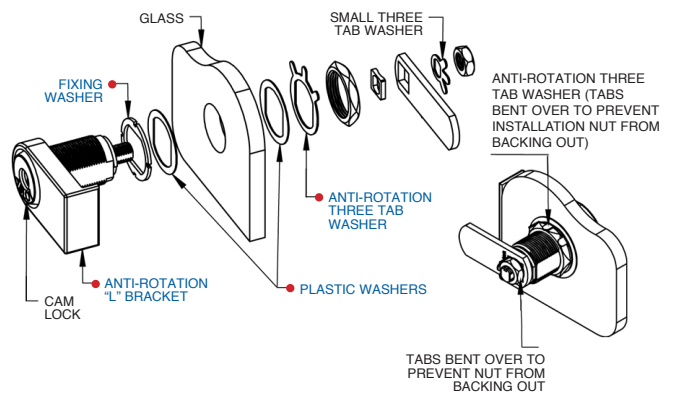
J WOOD INSTALLATION W



J METAL INSTALLATION M

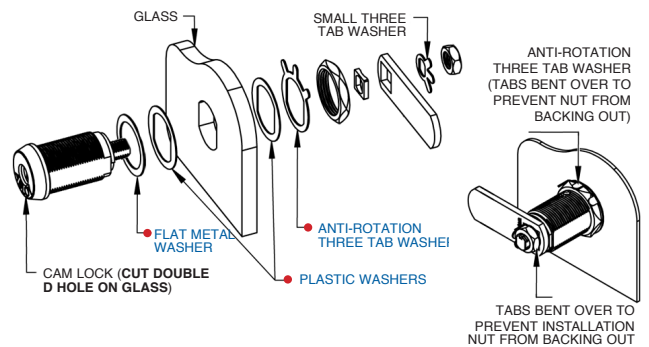


J GLASS INSTALLATION - ROUND HOLE GR

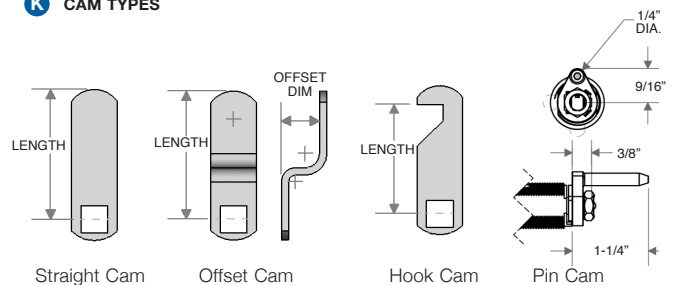


Dimension from center of hole to the edge of glass is 1-1/4"

J GLASS INSTALLATION - DOUBLE D HOLE GD



K CAM TYPES



Note: All Offset cams are reversible.