

Item Number

To determine your item number enter the **RED** option code for each section as in the example below.

A	B	C	D	E	F	G	H
CL	EG	04	1203	SN	Y	W	106

A Lock Style

CL Cam Lock

B Core Type

EG Electronic Medeco® XT

C Housing Length

MAXIMUM MATERIAL THICKNESS

	WOOD	METAL	GLASS	BARREL LENGTH
03	9/16"	5/8"	1/2"	7/8"
04*	3/4"	7/8"	3/4"	1-1/8"

D Cam Rotation

	LOCKED	OPEN
0312	3	12
0306	3	6
0309	3	9
0612	6	12
0603	6	3
0609	6	9
0912	9	12
0903	9	3
0906	9	6
1203	12	3
1206	12	6
1209	12	9

E Plating Finish

Extended lead-time and plating lot charges may apply to Special and Custom finishes.

Special Finish	
SN	Satin Nickel
PB	Polished Brass
SB	Satin Brass
BL	Matte Black
ST	Statuary Bronze
CF	Custom Finish

F Key Retaining

Y Yes

G Material Installation

W	Wood
M	Metal
GR	Glass with Round Hole
GD	Glass with Double "D" Hole
O	Other - No Mounting Hardware

Note: Keys are not included with this lock. See page EG 9 to order keys.

*Switch option available. See Page A10 to order switch kit.



Note: All Cam Locks come with a 1-1/4" Straight Cam unless a different cam is chosen.

H Cam Type

STRAIGHT

101	5/8"
102	3/4"
103	7/8"
104	1"
105	1-1/8"
106	1-1/4"
107	1-3/8"
108	1-1/2"
110	1-3/4"
112	2"
116	2-1/2"

1/8" OFFSET

303	7/8"
306	1-1/4"
308	1-1/2"
312	2"

1/4" OFFSET

403	7/8"
404	1"
406	1-1/4"
408	1-1/2"
410	1-3/4"
412	2"
414	2-1/4"

3/8" OFFSET

504	1"
506	1-1/4"
508	1-1/2"
512	2"

1/2" OFFSET

606	1-1/4"
608	1-1/2"
610	1-3/4"
612	2"

5/8" OFFSET

712	2"
------------	----

HOOK

202	3/4"
204	1"
206	1-1/4"
208	1-1/2"
210	1-3/4"

PIN CAM

P604 9/16" offset

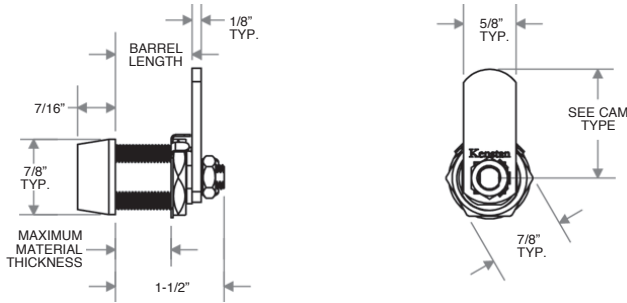
FOR SWITCH KIT

SL No Cam*

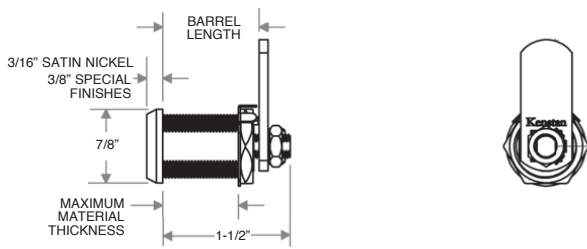
Continued

Note: A 3/4" diameter hole is required to mount this lock.

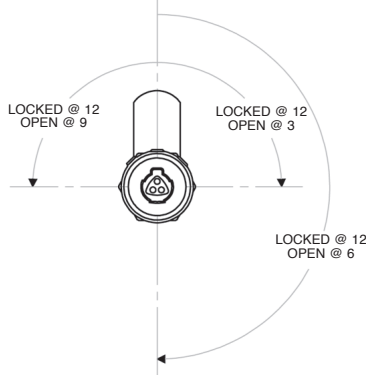
C HOUSING LENGTH 03



C HOUSING LENGTH 04

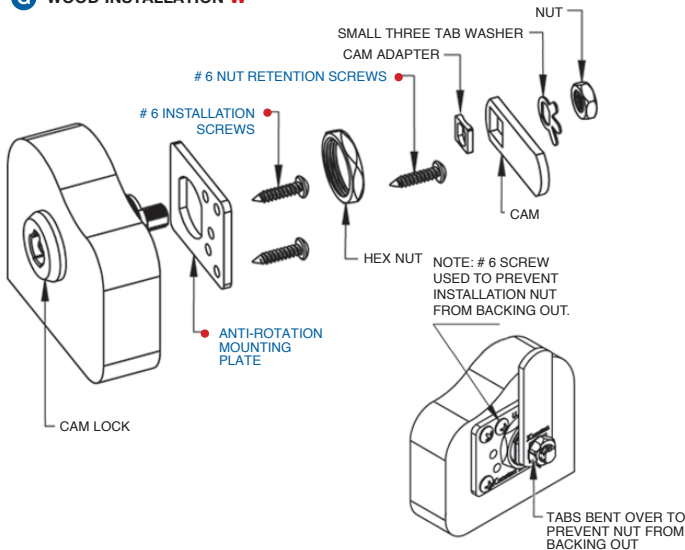


D CAM ROTATION (Front of lock shown)

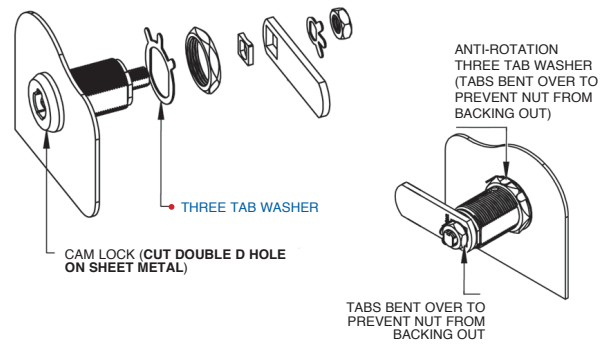


All 180 degree turns are clockwise, unless specified.

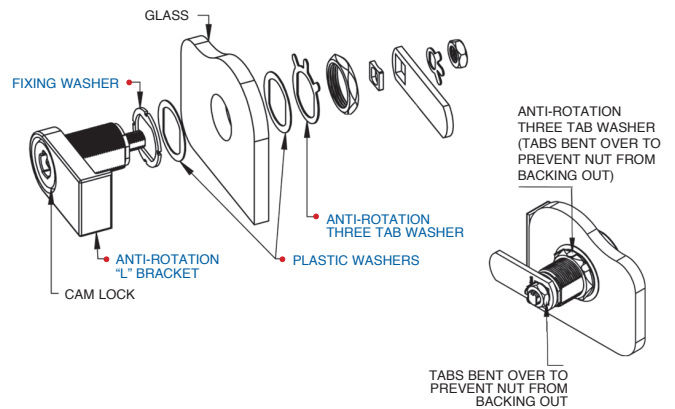
G WOOD INSTALLATION W



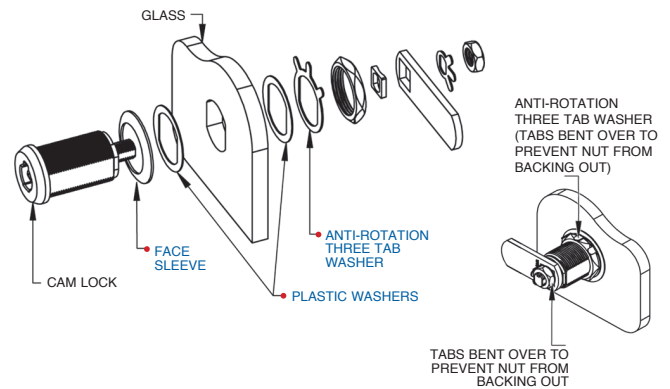
G METAL INSTALLATION M



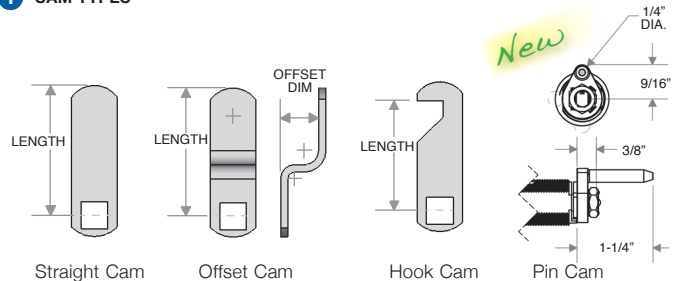
G GLASS INSTALLATION - ROUND HOLE GR



G GLASS INSTALLATION - DOUBLE D HOLE GD



I CAM TYPES



Note: All Offset cams are reversible.