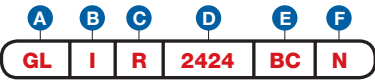


Price List and Data Sheet

Item Number

To determine your item number enter the **RED** option code for each section as in the example below.



A Lock Style
GL Gang Lock

B Core Type*
I I.C. Core

C Housing Style
R Rim Series
M Mortise Series

D Mount Style/Bar Length

Notch for Pin must be on Bottom of Drawer	FRONT MOUNT LOCKED UP	
	2424	24"
	2436	36"
	2448	48"
	24CL	Custom
	24NO	No Bar
Notch for Pin must be on Top of Drawer	SIDE MOUNT LOCKED UP	
	2624	24"
	2636	36"
	2648	48"
	26CL	Custom
FRONT MOUNT LOCKED DOWN		
2824	24"	
2836	36"	
2848	48"	
28CL	Custom	
28NO	No Bar	
SIDE MOUNT LOCKED DOWN		
3024	24"	
3036	36"	
3048	48"	
30CL	Custom	

E Plating Finish
Extended lead-time and plating lot charges **may** apply to Special and Custom finishes.

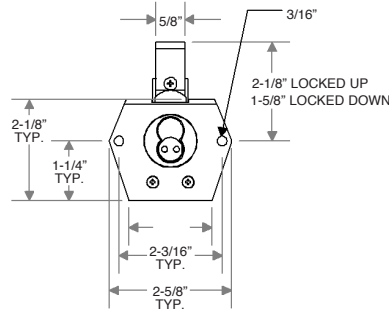
Special Finish	BC	Brushed Chrome
	PC	Polished Chrome
	PB	Polished Brass
	SB	Satin Brass
	BL	Matte Black
CF	Custom Finish	

F Key Retaining
N No
Y Yes

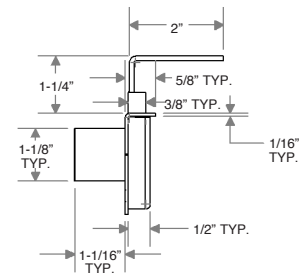
*Cores are not included with this lock. See page I14 to order cores.

"Throw" (distance bolt travels from the locked to unlocked position) is 1/2".

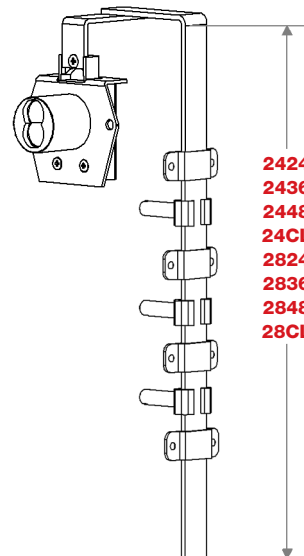
FRONT MOUNT - FRONT VIEW



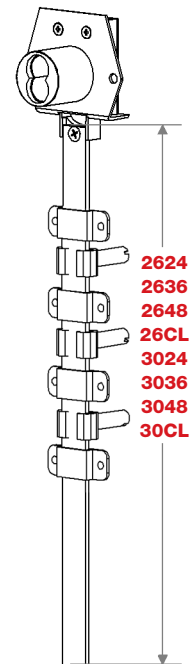
FRONT MOUNT - SIDE VIEW



FRONT MOUNT (Shown with a Gang 3C Kit)



SIDE MOUNT (Shown with a Gang 3C Kit)



Gang Lock Packages

To determine your item number enter the **RED** option code for each section as in the example below.



GANG 3C A kit with three adjustable stops, three 1-1/8" pins, three lock washers, and four closed bar guides.

A Package
GANG

B Number of Drawers
2
3
4

C Pin Length
A 5/8"
B 3/4"
C 1-1/8"
D 1-7/8"

