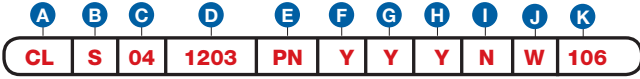


Item Number

To determine your item number enter the **RED** option code for each section as in the example below.



A Lock Style

CL Cam Lock

B Core Type

S ASSA® Desmo
J ASSA® Desmo Removable Core

C Housing Length

MAXIMUM MATERIAL THICKNESS

	WOOD	METAL	GLASS	BARREL LENGTH
02*	-	5/16"	1/8"	5/8"
03**	7/16"	1/2"	3/8"	7/8"
04	13/16"	7/8"	11/16"	1-1/8"
10**	1-3/8"	-	-	1-3/4"
11	1-9/16"	-	-	2"
13**	2-1/4"	-	-	2-3/4"
14	2-7/16"	-	-	3"

D Cam Rotation

	LOCKED	OPEN		LOCKED	OPEN
0312	3	12	0912	9	12
0306	3	6	0903	9	3
0309	3	9	0906	9	6
0603	6	3	1203	12	3
0612	6	12	1206	12	6
0609	6	9	1209	12	9

E Plating Finish

Extended lead-time and plating lot charges may apply to Special and Custom finishes.

Special Finish	
PC	Polished Chrome
SN	Satin Chrome
PB	Polished Brass
BL	Black
CF	Custom Finish

F Key Retaining

N No
Y Yes

G Keyed Different

N No
Y Yes

H Stamp Lock

N No
Y Yes

I Master Keyed

N No
Y Yes

J Material Installation

W Wood
M Metal
GR Glass with Round Hole
GD Glass with Double "D" Hole
O Other - No Mounting Hardware

Note: When the non key retaining function is chosen in conjunction with a 90 degree cam rotation, the key will be inserted at a 45 degree angle.

*Not available in Removable Core. *Available in Key Retaining only.



Note: All Cam Locks come with a 1-1/4" Straight Cam unless a different cam is chosen.

K Cam Type

STRAIGHT

101 5/8"
102 3/4"
103 7/8"
104 1"
105 1-1/8"
106 1-1/4"
107 1-3/8"
108 1-1/2"
110 1-3/4"
112 2"
116 2-1/2"

1/8" OFFSET

303 7/8"
306 1-1/4"
308 1-1/2"
312 2"

1/4" OFFSET

403 7/8"
404 1"
406 1-1/4"
408 1-1/2"
410 1-3/4"
412 2"
414 2-1/4"

3/8" OFFSET

504 1"
506 1-1/4"
508 1-1/2"
512 2"

1/2" OFFSET

606 1-1/4"
608 1-1/2"
610 1-3/4"
612 2"

5/8" OFFSET

712 2"

HOOK

202 3/4"
204 1"
206 1-1/4"
208 1-1/2"
210 1-3/4"

PIN CAM

P604 9/16" offset

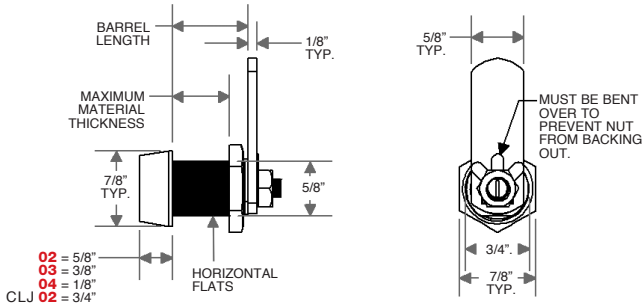
FOR SWITCH KIT

SL No Cam*

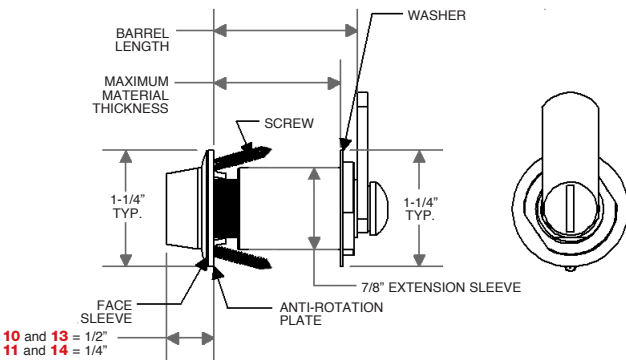
*Switch option available. See Page A10 to order switch kit.

Continued

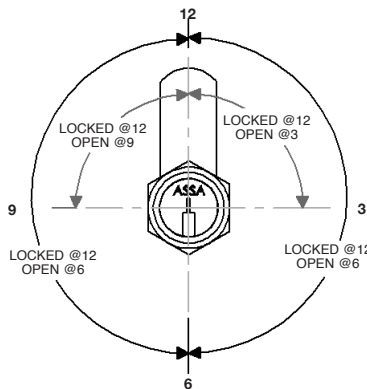
C HOUSING LENGTHS 02, 03 and 04



C HOUSING LENGTHS 10, 11, 13 and 14

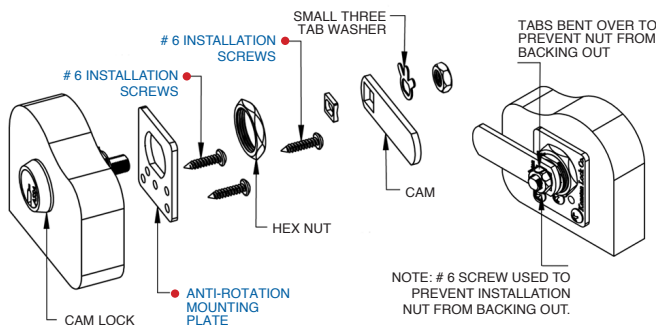


D CAM ROTATIONS (Front of lock shown)

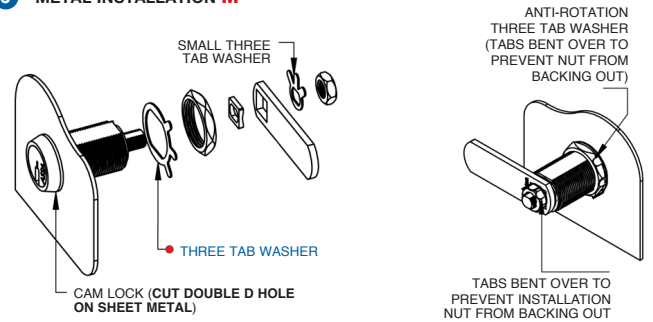


All 180 degree rotations are clockwise, unless specified.

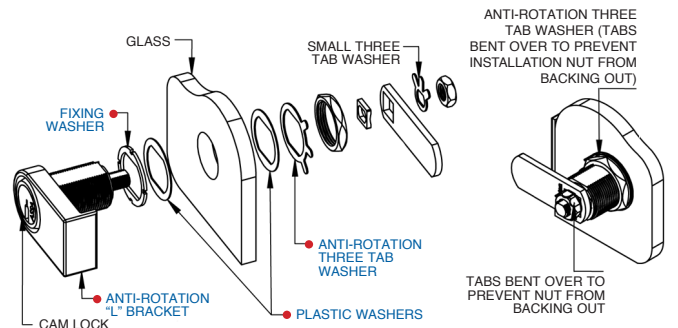
J WOOD INSTALLATION W



J METAL INSTALLATION M

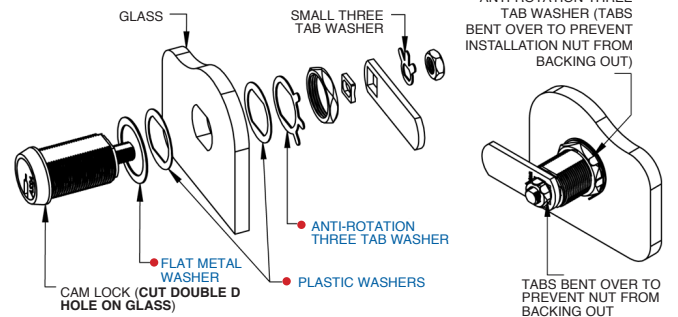


J GLASS INSTALLATION - ROUND HOLE GR

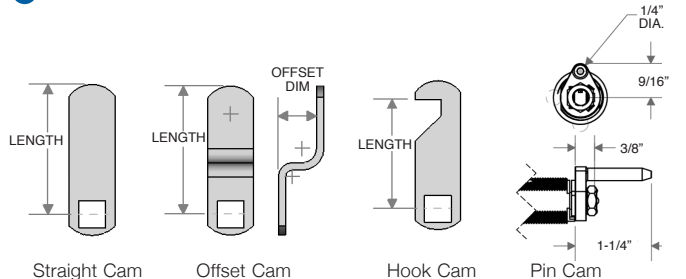


Dimension from center of hole to the edge of glass is 1-1/4"

J GLASS INSTALLATION - DOUBLE D HOLE GD



K CAM TYPES



Note: All Offset cams are reversible.