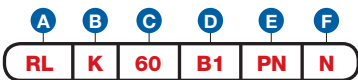


## Data Sheet

### Item Number

To determine your item number enter the **RED** option code for each section as in the example below.



**A Lock Style**  
**RL** Ratchet Lock

**B Core Type**  
**K** Keymatic

**C Housing Style**  
**60** Ratchet

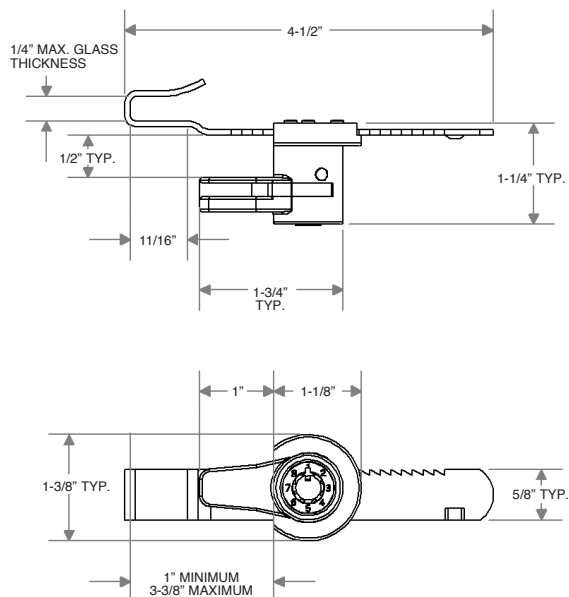
**D Bar Type**  
**B1** Standard  
**B2** Adjustable  
**B5** Stick on  
**B6** Screw on

**E Plating Finish**  
Extended lead-time and plating lot charges **may** apply to Special and Custom finishes.  
**PN** Polished Nickel  
**SN** Satin Nickel  
**CF** Custom Finish

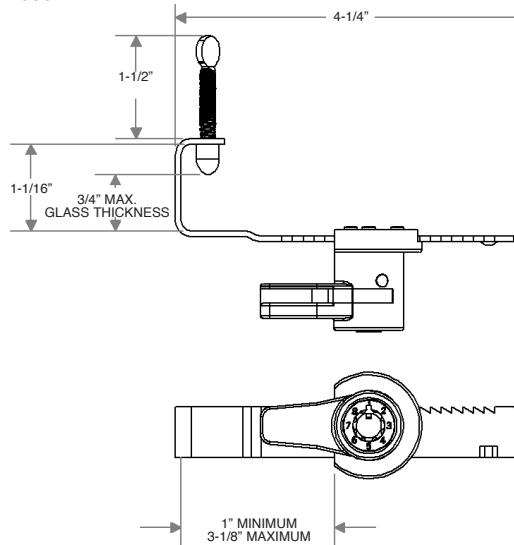
**F Key Retaining**  
**N** No

**Note:** Keys are not included with this lock. See page K14 to order keys.

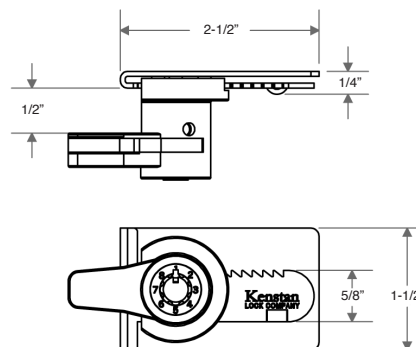
### D STANDARD BAR B1



### D ADJUSTABLE BAR B2



### D ADJUSTABLE BAR B5



### D ADJUSTABLE BAR B6

