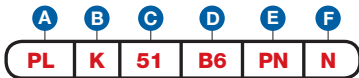


Data Sheet

Item Number

To determine your item number enter the **RED** option code for each section as in the example below.



A Lock Style
PL Plunger Lock

B Core Type
K Keymatic

C Housing Style
51 Key Hole Lock

D Material Thickness/Plunger

| | MATERIAL THICKNESS | PLUNGER LENGTH |
|------------------------|--------------------|----------------|
| SHORT BACK 1.20 | | |
| B3 | 1/4" | 3/4" Std. |
| B4 | 3/8" | 5/8" |
| LONG BACK 2.08 | | |
| B6 | 1/4" | 1-1/2" Std. |
| B7 | 3/8" | 1-3/8" |
| B8 | 7/8" | 1-1/32" |

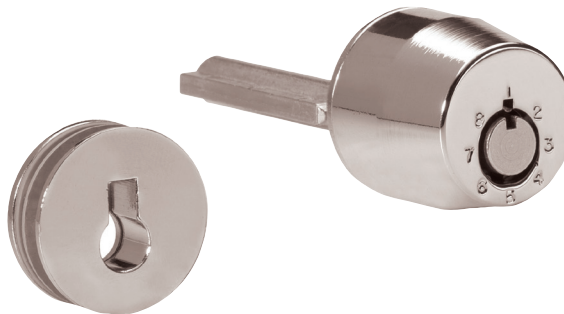
E Plating Finish
Extended lead-time and plating lot charges may apply to Special and Custom finishes.

| | | |
|----------------|-----------|-----------------|
| Special Finish | PN | Polished Nickel |
| | SN | Satin Nickel |
| | PB | Polished Brass |
| | SB | Satin Brass |
| | BL | Matte Black |
| | ST | Statuary Bronze |
| | CF | Custom Finish |

F Key Retaining

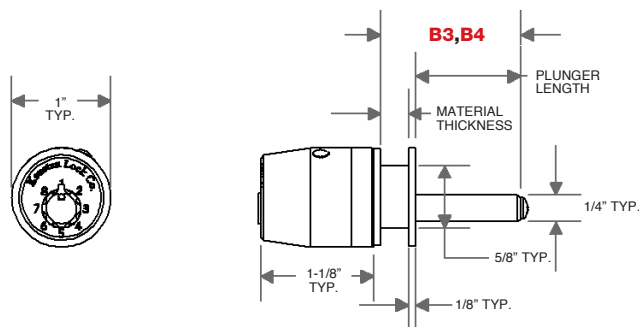
| | |
|----------|-----|
| N | No |
| Y | Yes |

Note: Keys are not included with this lock. See page K14 to order keys.

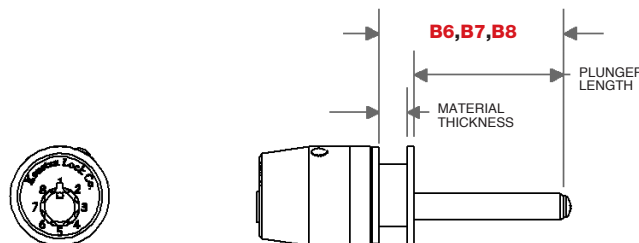


All dimensions shown are in the locked position.

D SHORT PLUNGER



D LONG PLUNGER



KEY HOLE LOCK - EXPLODED VIEW

