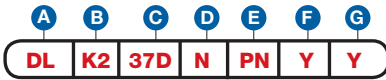


## Data Sheet

### Item Number

To determine your item number enter the **RED** option code for each section as in the example below.



#### A Lock Style

**DL** Door Lock

#### B Core Type

**K2** K<sup>2</sup> Keymatic Pull

#### C Housing Style/Bolt

**37D** Dual Gear Lock (Std.)  
**37S** Single Gear Lock

#### D Bar Length

**N** No Bar (Standard)  
**C** Custom

#### E Plating Finish

Extended lead-time and plating lot charges **may** apply to Special and Custom finishes.

Special Finish	<b>PN</b>	Polished Nickel
	<b>SN</b>	Satin Nickel
	<b>PB</b>	Polished Brass
	<b>SB</b>	Satin Brass
	<b>BL</b>	Matte Black
	<b>ST</b>	Statuary Bronze
	<b>CF</b>	Custom Finish

#### F Key Retaining

**N** No  
**Y** Yes

#### G Insert Core

**Y** Yes  
**N** Pack Core Separately  
**ND** Ship Core to Different Location

#### Material Installation

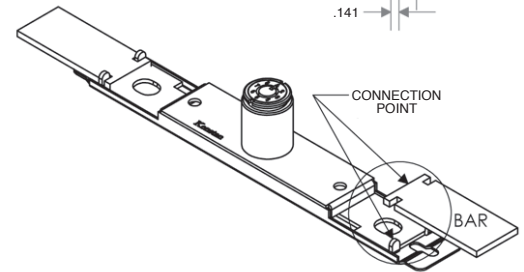
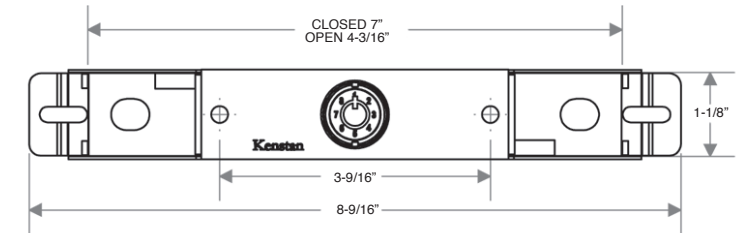
**W** Wood  
**M** Metal

**Note:** Keys are not included with this lock. See page 17 to order keys.

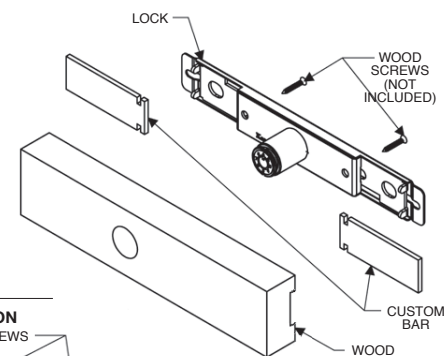


"Throw" (distance bolt travels from the locked to unlocked position) is 1.16" per side  
All dimensions shown are in the locked position.

#### GEAR LOCK



#### EXPLODED VIEW WOOD INSTALLATION



#### EXPLODED VIEW METAL INSTALLATION

