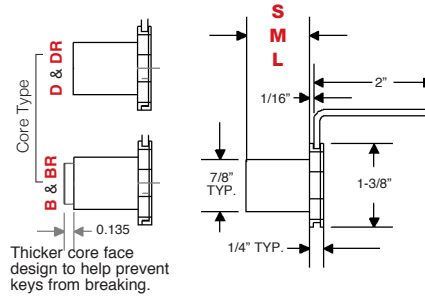


Data Sheet

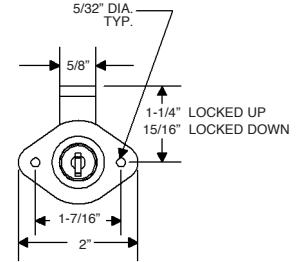
<b>A Lock Style</b>	<b>GL</b> Gang Lock
<b>B Core Type</b>	<p><b>B</b> Kenstan B Keyway</p> <p><b>BR</b> Kenstan B Keyway Removable Core</p> <p><b>D</b> 54G Keyway</p> <p><b>DR</b> 54G Keyway Removable Core</p>
<b>C Housing Length</b>	<p><b>S</b> 13/16"</p> <p><b>M</b> 1-1/16"</p> <p><b>L</b> 1-3/16"</p>
<b>D Mount Style/Bar Length</b>	<p><b>FRONT MOUNT LOCKED UP</b></p> <p><b>2424</b> 24"</p> <p><b>2436</b> 36"</p> <p><b>2448</b> 48"</p> <p><b>24CL</b> Custom</p> <p><b>24NO</b> No Bar</p> <p><b>SIDE MOUNT LOCKED UP</b></p> <p><b>2624</b> 24"</p> <p><b>2636</b> 36"</p> <p><b>2648</b> 48"</p> <p><b>26CL</b> Custom</p> <p><b>FRONT MOUNT LOCKED DOWN</b></p> <p><b>2824</b> 24"</p> <p><b>2836</b> 36"</p> <p><b>2848</b> 48"</p> <p><b>28CL</b> Custom</p> <p><b>28NO</b> No Bar</p> <p><b>SIDE MOUNT LOCKED DOWN</b></p> <p><b>3024</b> 24" <i>Non Key</i></p> <p><b>3036</b> 36" <i>Retaining Only</i></p> <p><b>3048</b> 48" <i>Retaining Only</i></p> <p><b>30CL</b> Custom</p>
<b>E Plating Finish</b>	<p>Extended lead-time and plating lot charges may apply to Special and Custom finishes.</p> <p><b>PN</b> Polished Nickel</p> <p><b>SN</b> Satin Nickel</p> <p><b>PB</b> Polished Brass</p> <p><b>SB</b> Satin Brass</p> <p><b>BL</b> Matte Black</p> <p><b>ST</b> Statuary Bronze</p> <p><b>CF</b> Custom Finish</p>
<b>F Key Retaining</b>	<p>"Side Mount Locked Down" available in Non Key Retaining only.</p> <p><b>N</b> No</p> <p><b>Y</b> Yes</p>
<b>G Keyed Different</b>	<p><b>N</b> No</p> <p><b>Y</b> Yes</p>
<b>H Stamp Lock</b>	<p><b>N</b> No</p> <p><b>Y</b> Yes</p>
<b>I Master Keyed</b>	<p><b>N</b> No</p> <p><b>Y</b> Yes</p>

"Throw" (distance bolt travels from the locked to unlocked position) is 5/16".

FRONT MOUNT - SIDE VIEW

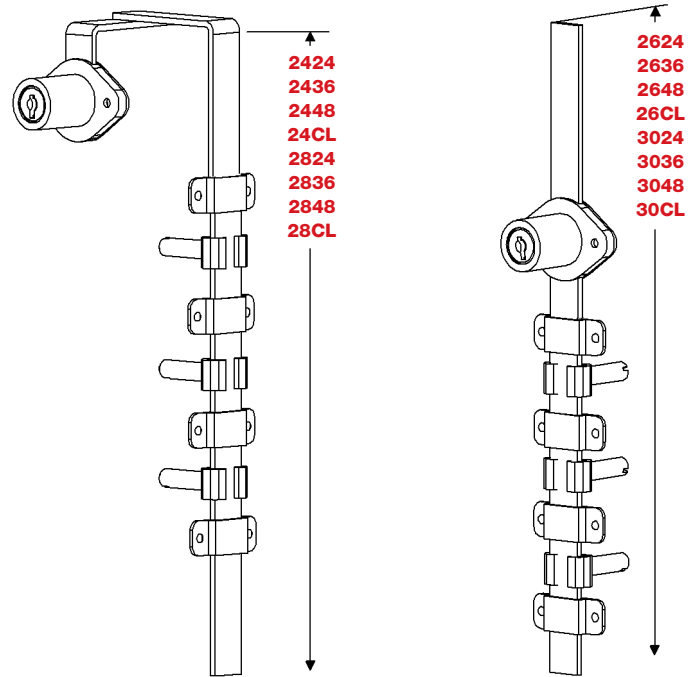


FRONT MOUNT - FRONT VIEW



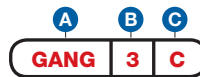
FRONT MOUNT (Shown with a Gang 3C Kit)

SIDE MOUNT (Shown with a Gang 3C Kit)



**Gang Lock Packages**

To determine your item number enter the **RED** option code for each section as in the example below.



**GANG 3C** A kit with three adjustable stops, three 1-1/8" pins, three lock washers, and four closed bar guides.

**A Package**

**GANG**

**B Number of Drawers**

**2**

**3**

**4**

**C Pin Length**

**A** 5/8"

**B** 3/4"

**C** 1-1/8"

**D** 1-7/8"

