

Data Sheet

**Item Number**

To determine your item number choose one **RED** option code from each section below.

**A Lock Style**

**RL** Ratchet Lock

**B Core Type**

**B** Kenstan B Keyway  
**D** 54G Keyway

**C Housing Style**

**60** Ratchet

**D Bar Type**

**B1** Standard  
**B2** Adjustable  
**B5** Stick on  
**B6** Screw on

**E Plating Finish**

Extended lead-time and plating lot charges **may** apply to Special and Custom finishes.

**PN** Polished Nickel  
**SN** Satin Nickel  
**CF** Custom Finish

**F Key Retaining**

**N** No

**G Keyed Different**

**N** No  
**Y** Yes

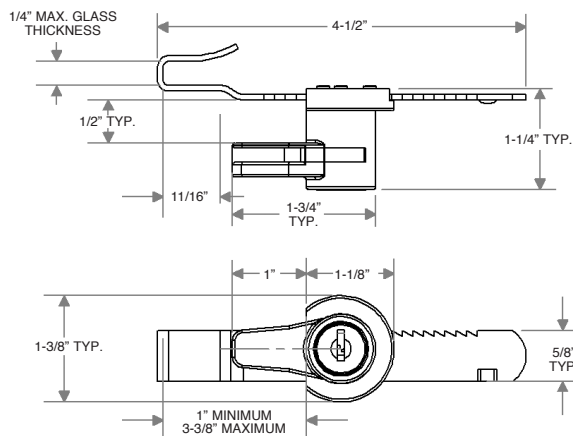
**H Stamp Lock**

**N** No  
**Y** Yes

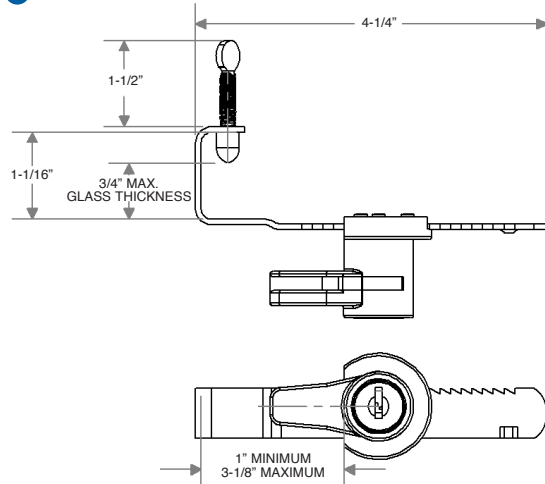
**I Master Keyed**

**N** No  
**Y** Yes

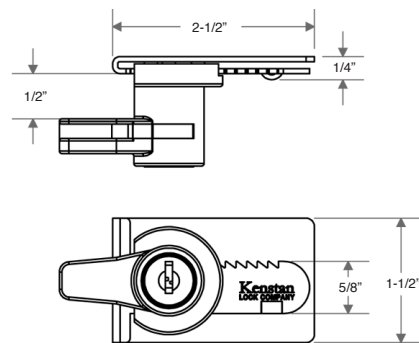
**D STANDARD BAR B1**



**D ADJUSTABLE BAR B2**



**D STICK ON BAR B5**



**D SCREW ON BAR B6**

