

Item Number

To determine your item number enter the **RED** option code for each section as in the example below.

A	B	C	D	E	F	G	H	I
CL	K2	05	1203	PN	Y	Y	W	106

A Lock Style

CL Cam Lock

B Core Type

K2 K² Keymatic Pull

C Housing Length

MAXIMUM MATERIAL THICKNESS

	WOOD	METAL	GLASS	BARREL LENGTH
03	1/2"	5/8"	1/2"	15/16"
04	3/4"	13/16"	11/16"	1-1/8"
05	1-1/8"	1-3/16"	1"	1-1/2"

D Cam Rotation

	LOCKED	OPEN
0312	3	12
0306	3	6
0603	6	3
0609	6	9
0912	9	12
0906	9	6
1203	12	3
1209	12	9

E Plating Finish

Extended lead-time and plating lot charges **may** apply to Special and Custom finishes.

Special Finish	Finish
PN	Polished Nickel
SN	Satin Nickel
PB	Polished Brass
SB	Satin Brass
BL	Matte Black
ST	Statuary Bronze
CF	Custom Finish

F Key Retaining

* Note: This option will eliminate the KEYPULL feature.

Y Yes
N* No

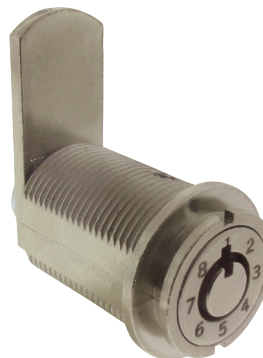
G Insert Core

Y Yes
N Pack Core Separately
ND Ship Core to Different Location

H Material Installation

W Wood
WF Wood Flush Mount
M Metal
GR Glass with Round Hole
GD Glass with Double "D" Hole
O Other - No Mounting Hardware

Note: Keys are not included with this lock. See page 17 to order keys.



ATTENTION: A 7/8" hole is required to mount this lock.

Note: All Cam Locks come with a 1-1/4" Straight Cam unless a different cam is chosen.

I Cam Type

STRAIGHT

101	5/8"
102	3/4"
103	7/8"
104	1"
105	1-1/8"
106	1-1/4"
107	1-3/8"
108	1-1/2"
110	1-3/4"
112	2"
116	2-1/2"

1/8" OFFSET

303	7/8"
306	1-1/4"
308	1-1/2"
312	2"

1/4" OFFSET

403	7/8"
404	1"
406	1-1/4"
408	1-1/2"
410	1-3/4"
412	2"
414	2-1/4"

3/8" OFFSET

504	1"
506	1-1/4"
508	1-1/2"
512	2"

1/2" OFFSET

606	1-1/4"
608	1-1/2"
610	1-3/4"
612	2"

5/8" OFFSET

712	2"
------------	----

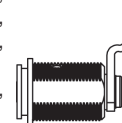
HOOK

202	3/4"
204	1"
206	1-1/4"
208	1-1/2"
210	1-3/4"

PIN CAM

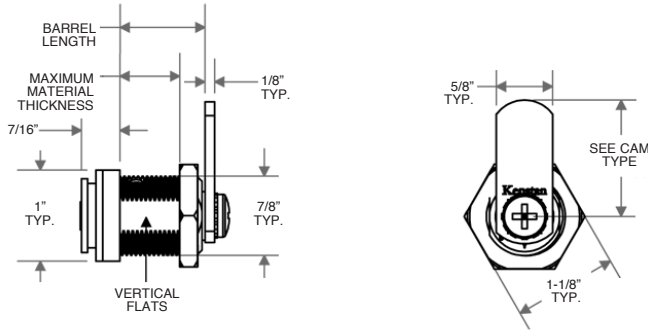
P604	9/16" offset
-------------	--------------

These offset Cams are not reversible.



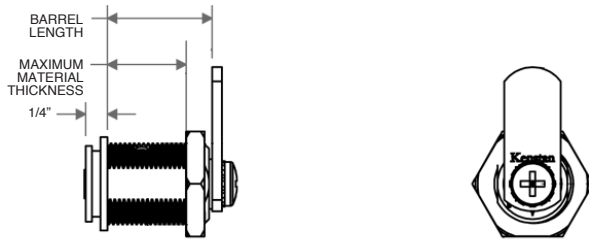
Continued

C HOUSING LENGTHS 03



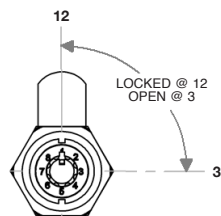
A 7/8" hole is required to mount this lock.

C HOUSING LENGTHS 04 and 05

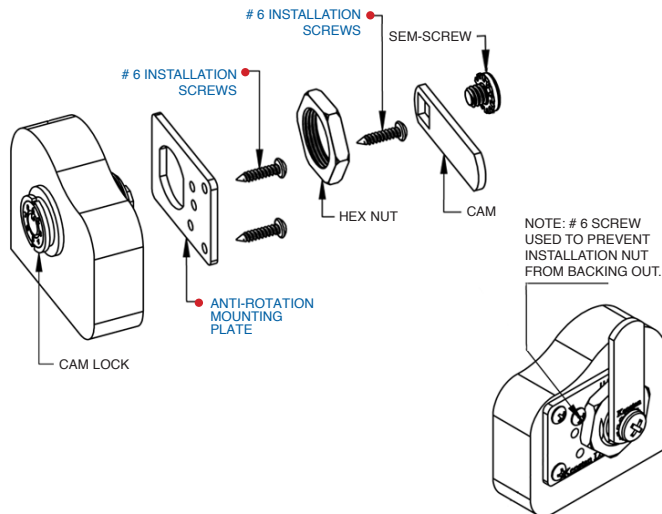


A 7/8" hole is required to mount this lock.

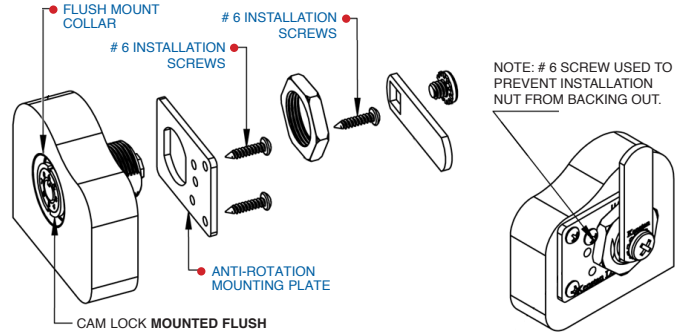
D CAM ROTATION EXAMPLE



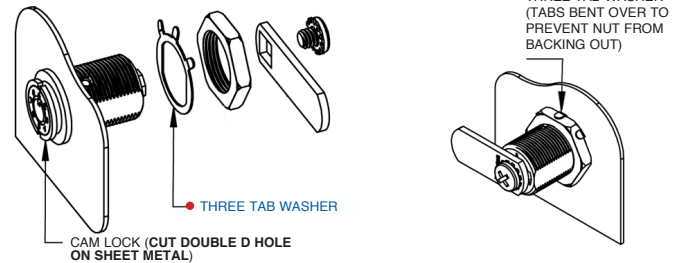
H WOOD INSTALLATION W



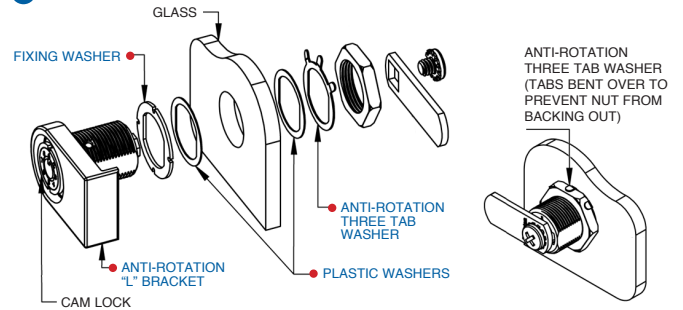
H WOOD INSTALLATION FLUSH MOUNT WF



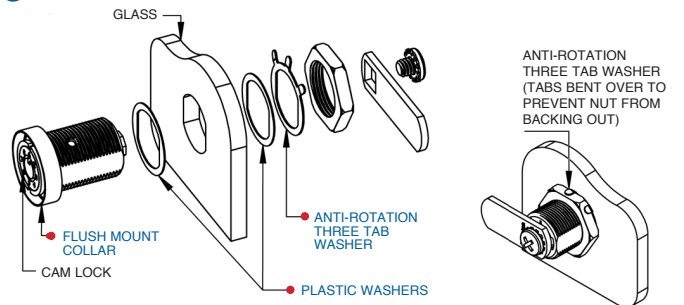
H METAL INSTALLATION M



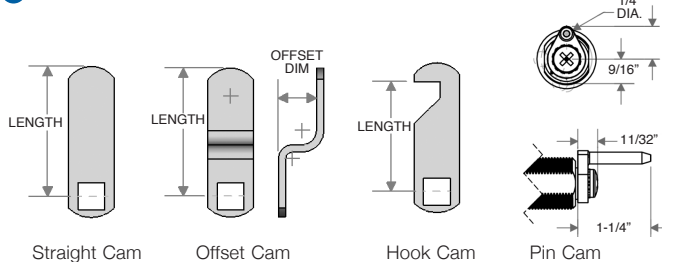
H GLASS INSTALLATION - ROUND HOLE GR



H GLASS INSTALLATION - DOUBLE D HOLE GD



I CAM TYPES



Note: All Offset cams are not reversible.