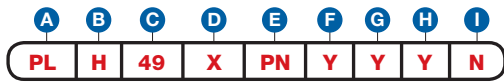


Data Sheet

Item Number

To determine your item number enter the **RED** option code for each section as in the example below.



A Lock Style

PL Plunger Lock

B Core Type

M Medeco® Biaxial
H Medeco® Biaxial m³

C Housing Style

49 Through the Track Plunger

D Plunger Type

X No Option

E Plating Finish

PN Polished Nickel w/Satin Chrome Core
PB Polished Brass
SB Satin Brass
BL Matte Black
ST Statuary Bronze
CF Custom Finish

F Key Retaining

N No
Y Yes

G Keyed Different

N No
Y Yes

H Stamp Lock

N No
Y Yes

I Master Keyed

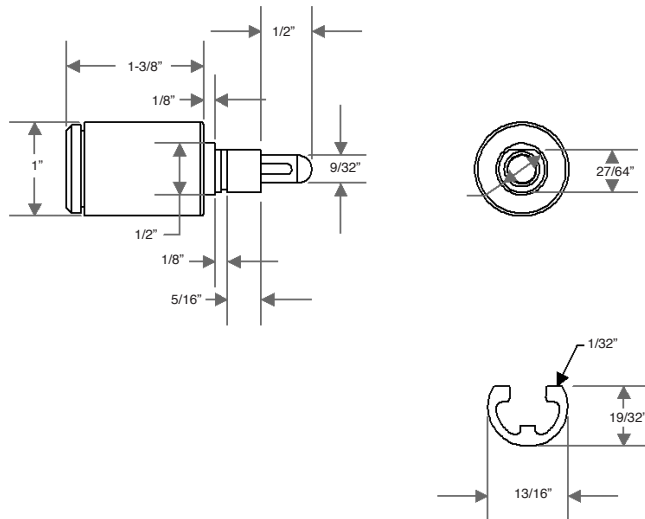
N No
Y Yes
G Grand Master



Patented

All dimensions shown are in the locked position.

THROUGH THE TRACK PLUNGER



ISOMETRIC VIEW WITH METAL

