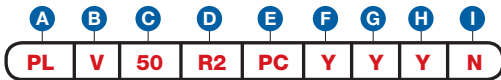


Item Number

 To determine your item number enter the **RED** option code for each section as in the example below.

A Lock Style
PL Plunger Lock

B Core Type
V ABLOY® EXEC
V3 ABLOY® SENTRY
V4 ABLOY® PROTEC

C Housing Style
50 Round Flange

D Plunger Type/Length
ROUND SERIES
R2 7/16"
CL Custom Length

E Plating Finish

Extended lead-time and plating lot charges may apply to Special and Custom finishes.

Special Finish	PC	Polished Chrome
	SC	Satin Chrome
	PB	Polished Brass
	BL	Matte Black
	ST	Statuary Bronze
	CF	Custom Finish

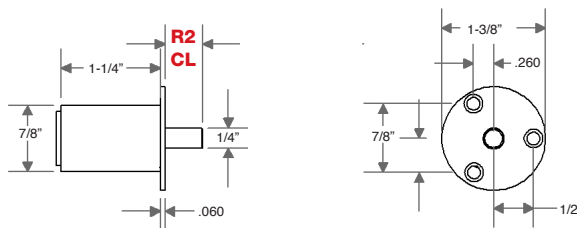
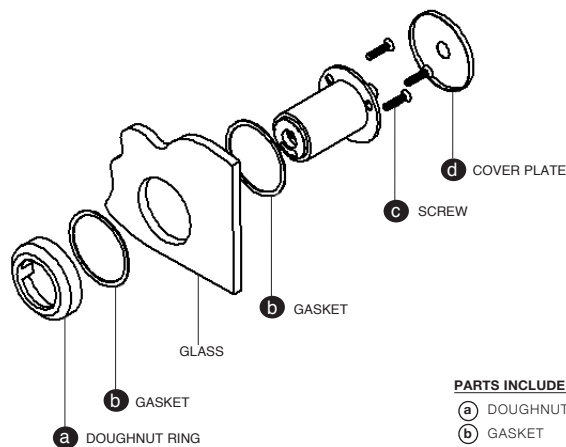
F Key Retaining
Y Yes

G Keyed Different
N No
Y Yes

H Stamp Lock
N No
Y Yes

I Master Keyed
N No
Y Yes
G Grand Master
GA Great Grand Master


All dimensions shown are in the locked position.

D ROUND SERIES

PLV50 INSTALLATION


PARTS INCLUDED	QTY.
(a) DOUGHNUT RING	1
(b) GASKET	2
(c) SCREW	3
(d) COVER PLATE	1