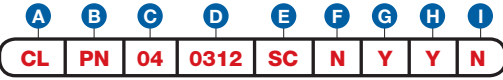


Item Number

To determine your item number enter the **RED** option code for each section as in the example below.



A Lock Style

CL Cam Lock

B Core Type

PN National Keyway
PC Corbin Keyway

C Housing Length

	MAXIMUM MATERIAL THICKNESS	BARREL LENGTH
04	3/4"	1-1/16"
05	7/8"	1-3/16"
06	1-1/8"	1-7/16"
07	1-1/2"	1-13/16"

D Cam Rotation

	LOCKED	OPEN
0312	3	12
0306	3	6
0603	6	3
0609	6	9
0912	9	12
0906	9	6
1203	12	3
1209	12	9

E Plating Finish

SC Satin Chrome
PB Polished Brass
CF Custom Finish

F Key Retaining

N No
Y Yes

G Keyed Different

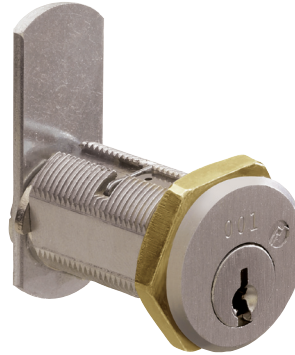
N No
Y Yes

H Stamp Lock

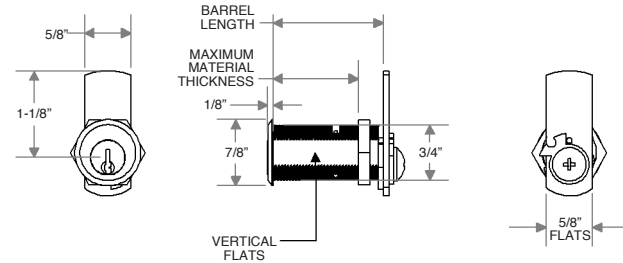
N No
Y Yes

I Master Keyed

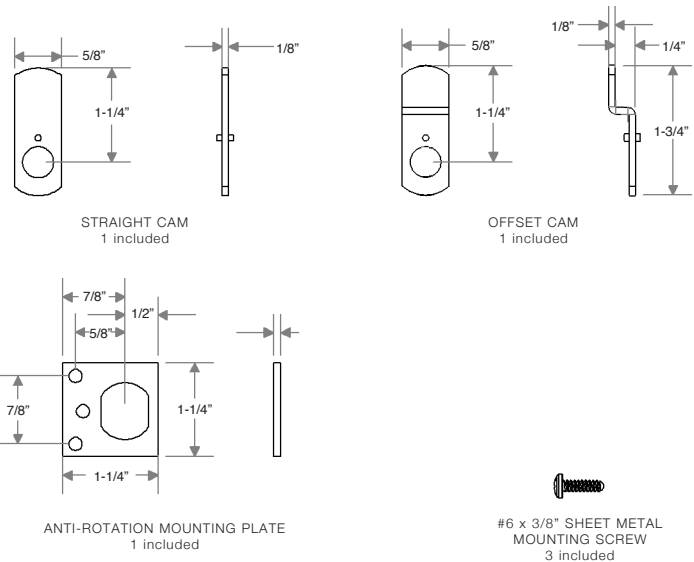
N No
Y Yes
G Grand Master



C HOUSING LENGTHS 04, 05, 06 and 07



LOCK PARTS



CALL KENSTAN FOR LOCK ILLUSTRATION.