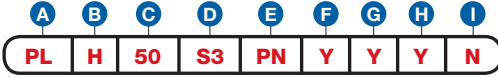


Item Number

To determine your item number enter the **RED** option code for each section as in the example below.



A Lock Style

PL Plunger Lock

B Core Type

- M** Medeco® Biaxial
1-1/4" Housing Length
- H** Medeco® Biaxial m³
1-1/4" Housing Length
- R** Removable Core
1-5/8" Housing Length
- G** Removable Core m³
1-5/8" Housing Length

C Housing Style

50 Round Flange

D Plunger Type/Length

S SERIES

- S1** 3/8"
- S2** 7/16"
- S3** 5/8"

T SERIES

- T1+** 1/4"
- T3+** 9/16"

L SERIES

- L3+** 3/8"

ROUND SERIES

- R1*** 3/8"
- R2*** 7/16"
- R3*** 9/16"

ROUND EXTENDED SERIES

- R4*** 1-3/16"
- R5*** 1-5/16"
- R6*** 1-11/16"
- R7*** 2-7/16"

E Plating Finish

- PN** Polished Nickel
w/Satin Chrome Core
- PB** Polished Brass
- SB** Satin Brass
- BL** Matte Black
- ST** Statuary Bronze
- CF** Custom Finish

F Key Retaining

- N** No
- Y** Yes

G Keyed Different

- N** No
- Y** Yes

H Stamp Lock

- N** No
- Y** Yes

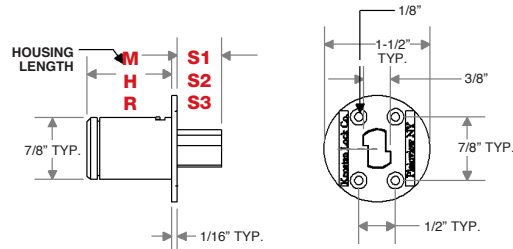
I Master Keyed

- N** No
- Y** Yes
- G** Grand Master

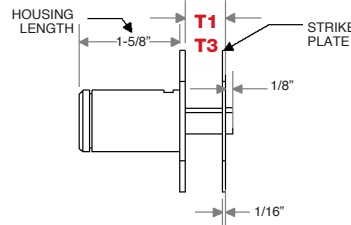


Patented All dimensions shown are in the locked position.

D S SERIES (Parts included same as Round Series)



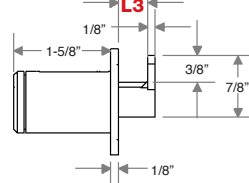
D T SERIES



PARTS INCLUDED	QTY.
(a) DOUGHNUT	2
(b) J BRACKET (anti-rotation)	1
(c) PLASTIC WASHER	4
(d) PLASTIC SPACER	2
(e) SCREW	8
(f) STRIKE PLATE	1

+ Available only in 1-5/8" Housing Length

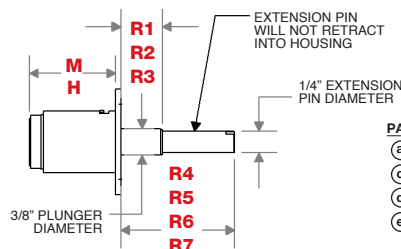
D L SERIES



PARTS INCLUDED	QTY.
(a) DOUGHNUT	1
(b) J BRACKET (anti-rotation)	1
(c) PLASTIC WASHER	2
(d) PLASTIC SPACER	1
(e) SCREW	4

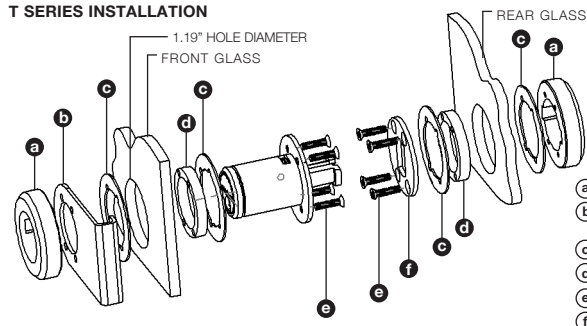
+ Available only in 1-5/8" Housing Length

D ROUND SERIES (Plunger travels 9/16")



PARTS INCLUDED	QTY.
(a) DOUGHNUT	1
(c) PLASTIC WASHER	2
(d) PLASTIC SPACER	1
(e) SCREW	4

T SERIES INSTALLATION



*Not available in Removable Core.