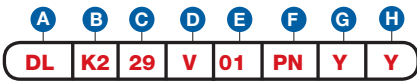


Item Number

To determine your item number enter the **RED** option code for each section as in the example below.



A Lock Style

DL Door Lock

B Core Type

K2 K² Keymatic Pull

C Housing Style

29 Glass Mount Housing

D Bolt Type

V Vertical
I Inverted

E Bolt Length

01 3/8"
CL Custom

F Plating Finish

Extended lead-time and plating lot charges may apply to Special and Custom finishes.

- | | | |
|----------------|-----------|-----------------|
| Special Finish | PN | Polished Nickel |
| | SN | Satin Nickel |
| | PB | Polished Brass |
| | SB | Satin Brass |
| | BL | Matte Black |
| | ST | Statuary Bronze |
| | CF | Custom Finish |

G Key Retaining

N No
Y Yes

H Insert Core

Y Yes
N Pack Core Separately
ND Ship Core to Different Location

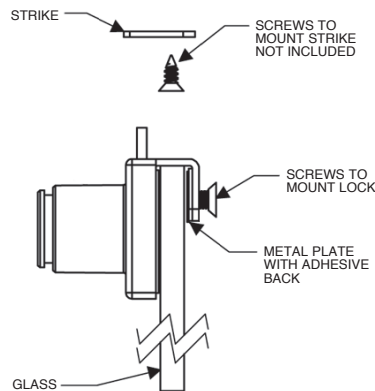
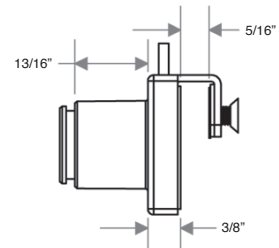
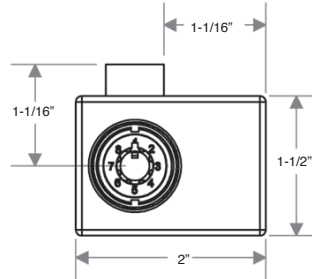
Note: Keys are not included with this lock. See page 17 to order keys.

New

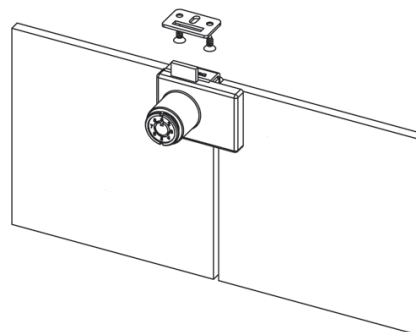


All dimensions shown are in the locked position.

STANDARD SNAP BOLT



DOUBLE DOOR APPLICATION



SINGLE DOOR APPLICATION

