



Item Number

To determine your item number choose one **RED** option code from each section below.

A Lock Style

PL Plunger Lock

B Core Type

B Kenstan B Keyway
BR Kenstan B Keyway Removable Core
D 54G Keyway
DR 54G Keyway Removable Core

C Housing Style

50 Round Flange

D Plunger Type/Length

S SERIES

S1 3/8"
S2 7/16"
S3 5/8"

T SERIES

T1 1/4"
T3 9/16"

L SERIES

L3 3/8"

ROUND SERIES

R1 3/8"
R2 7/16"
R3 5/8"

ROUND EXTENDED SERIES

R4 1-3/16"
R5 1-5/16"
R6 1-11/16"
R7 2-7/16"

E Plating Finish

Extended lead-time and plating lot charges **may** apply to Special and Custom finishes.

Special Finish	{	PN Polished Nickel
		SN Satin Nickel
		PB Polished Brass
		SB Satin Brass
		BL Matte Black
		ST Statuary Bronze
		CF Custom Finish

F Key Retaining

N No
Y Yes

G Keyed Different

N No
Y Yes

H Stamp Lock

N No
Y Yes

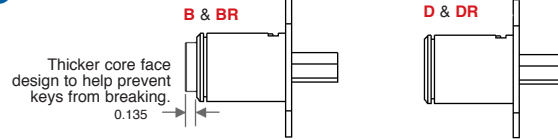
I Master Keyed

N No
Y Yes

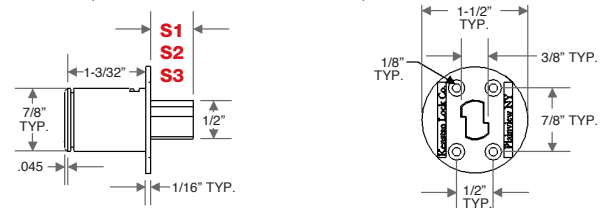


All dimensions shown are in the locked position.

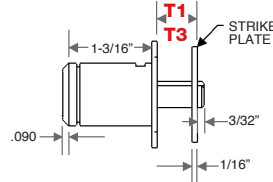
B CORE TYPE



D S SERIES (Parts included same as Round Series)

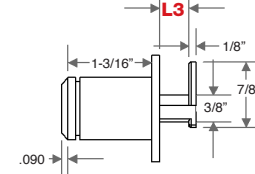


D T SERIES



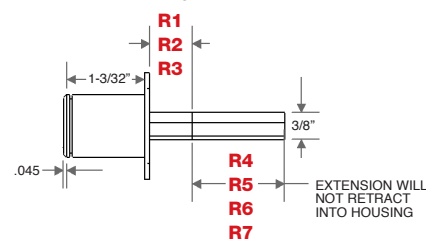
PARTS INCLUDED	QTY.
(a) DOUGHNUT	2
(b) J BRACKET (anti-rotation)	1
(c) PLASTIC WASHER	4
(d) PLASTIC SPACER	2
(e) SCREW	8
(f) STRIKE PLATE	1

D L SERIES



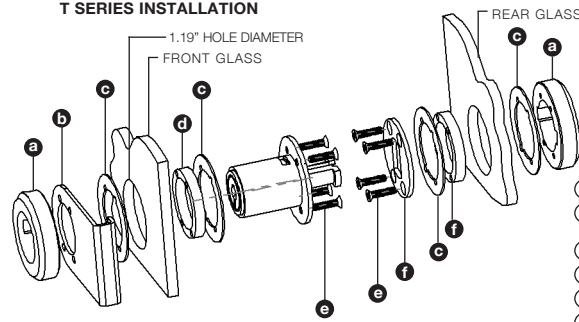
PARTS INCLUDED	QTY.
(a) DOUGHNUT	1
(b) J BRACKET (anti-rotation)	1
(c) PLASTIC WASHER	2
(d) PLASTIC SPACER	1
(e) SCREW	4

D ROUND SERIES (Plunger travels 5/8")



PARTS INCLUDED	QTY.
(a) DOUGHNUT	1
(c) PLASTIC WASHER	2
(d) PLASTIC SPACER	1
(e) SCREW	4

T SERIES INSTALLATION



(a) DOUGHNUT
(b) J BRACKET (anti-rotation)
(c) PLASTIC WASHER
(d) PLASTIC SPACER
(e) SCREW
(f) STRIKE PLATE